

Kawasaki 85

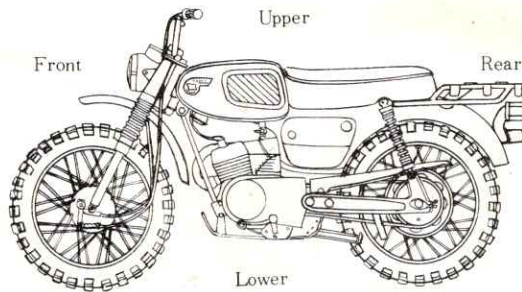
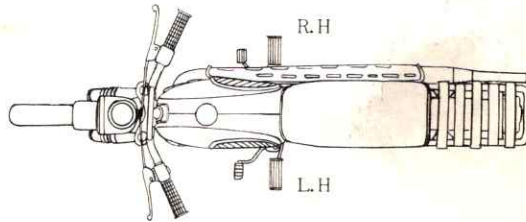
Model J1TR

J1TR

Kawasaki 85 J1TR

INDEX

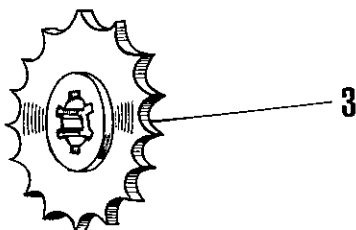
1. Cylinder Head, Cylinder	1
5. Transmission Gears	1
6. Gear Change Outer Mechanism	1
11. Exhaust Pipe, Muffler	3
12. Frame	5
13. Swinging Arm	7
14. Front Fork, Front Fender	9
15. Stands, Footrests	11
16. Wheels	13
18. Rear Hub	15
19. Handlebar, Grips, Handlebar Switch	15
21. Seat, Luggage Carrier	17
22. Cables	19
23. Chain Cover, Chain	21
24. Electrical Equipment	23
25. Tools	27
28. Standard Hardware	29



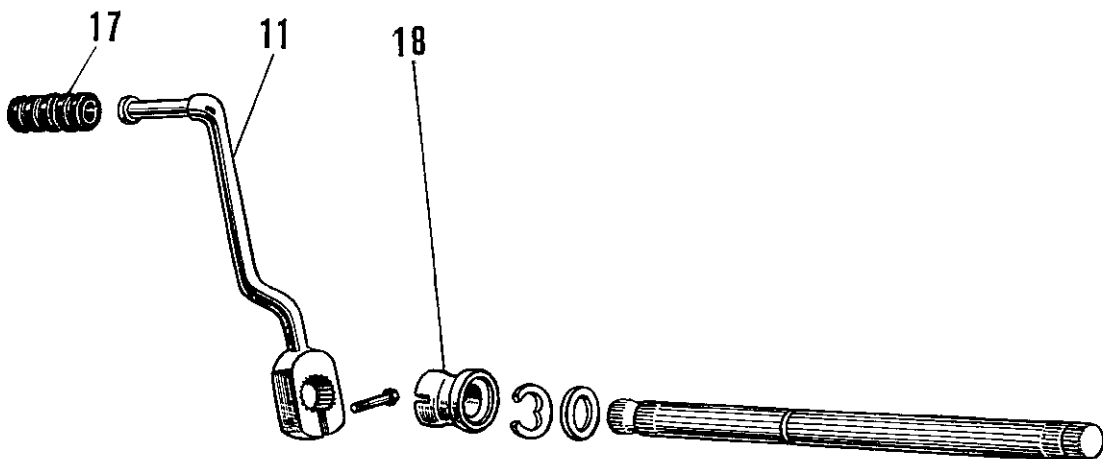
1. Cylinder Head, Cylinder



5. Transmission Gears

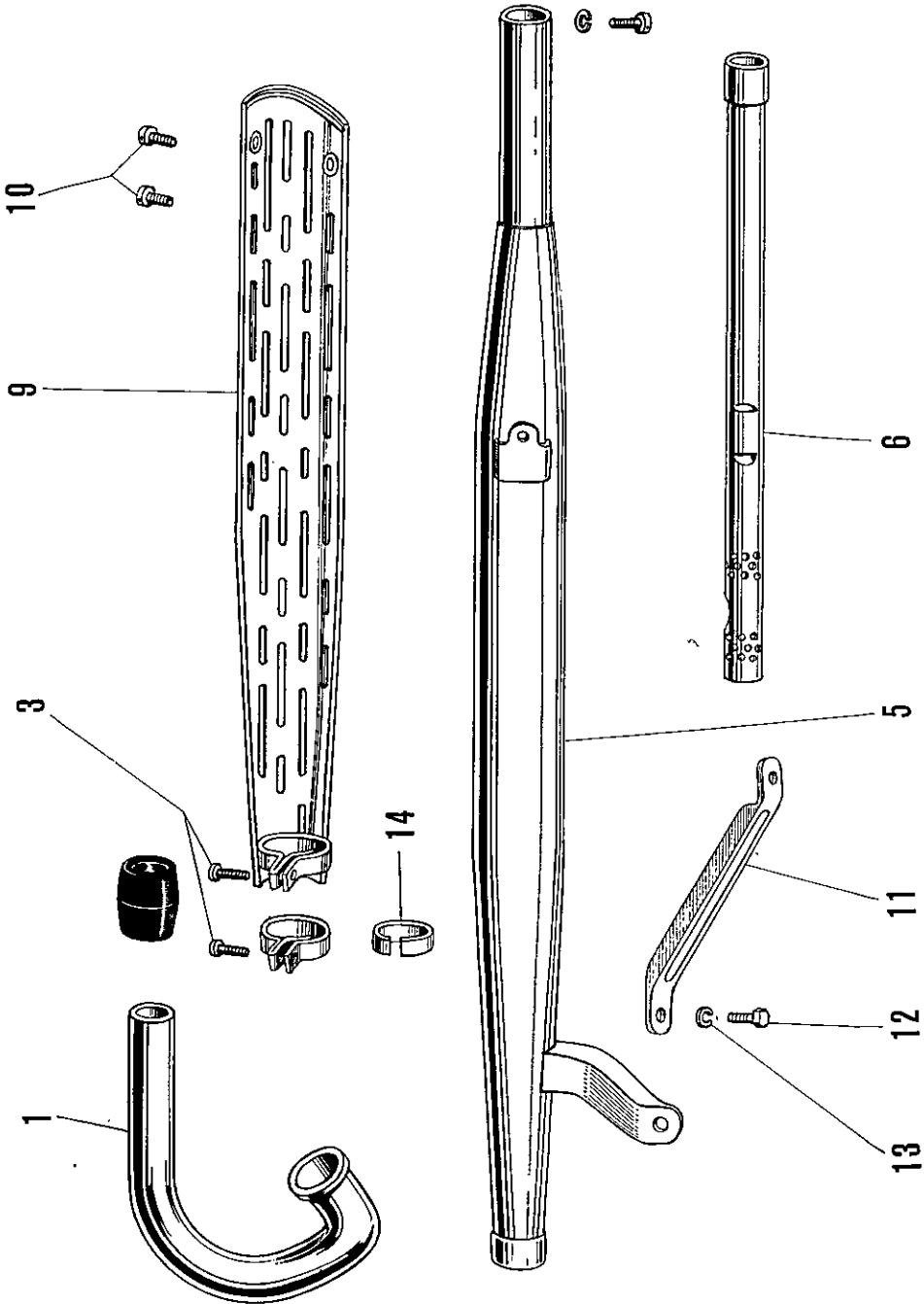


6. Gear Change Outer Mechanism



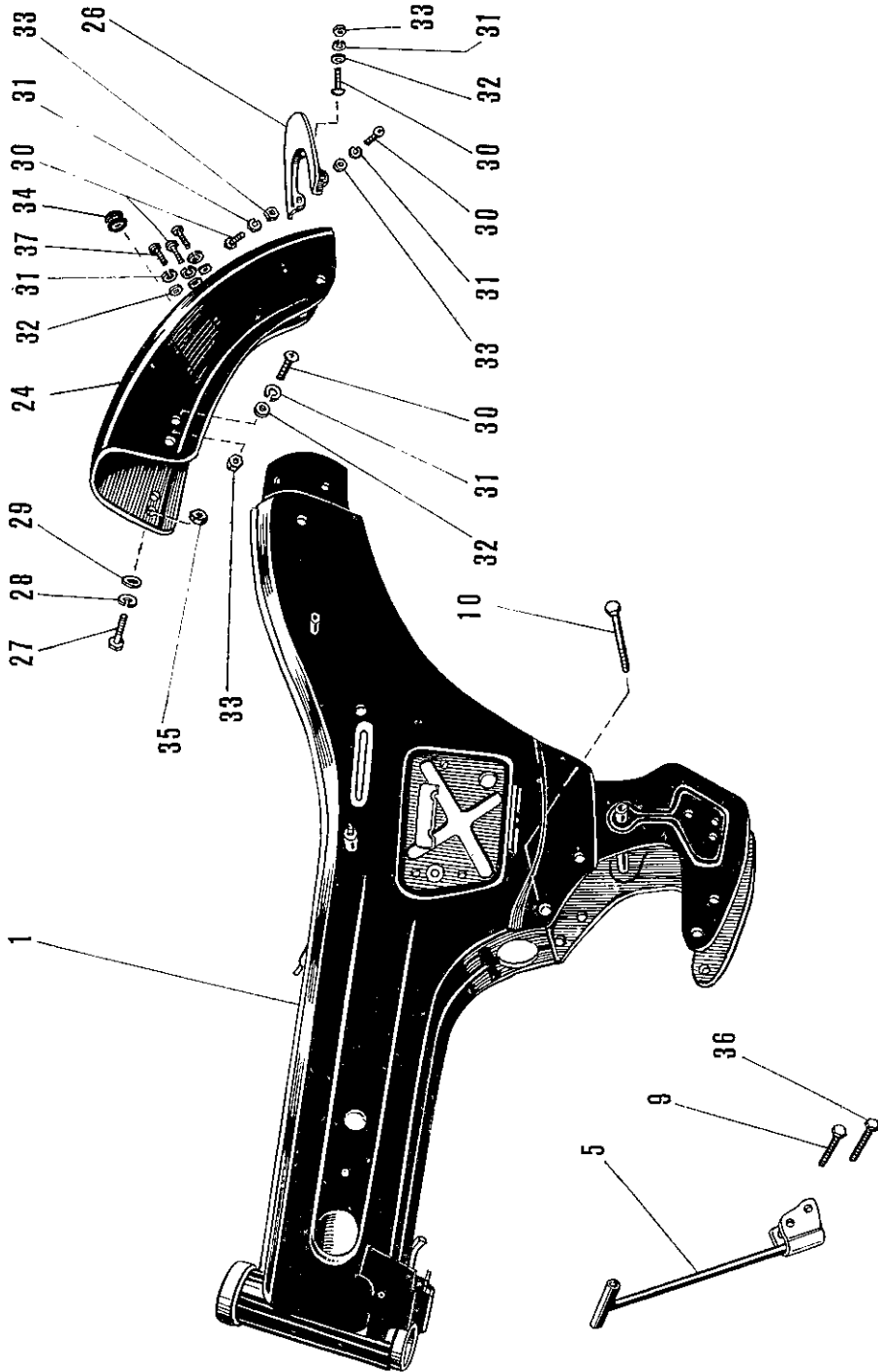
Ref. No.	Part No.	Part Name	Quantity	Remarks
1. Cylinder Head, Cylinder				
1	310-9280-1	Spark Plug	1	NGK B-7HZ (w/gasket)
5. Transmission Gears				
3	2210-3621	Engine Sprocket	1	16 teethe
6. Gear Change Outer Mechanism				
11	2210-3701	Gear Change Pedal	1	
17	2210-3702	Gear Change Pedal Rubber	1	
18	2210-3719	Gear Change Pedal Dust Shield	1	

11. Exhaust Pipe, Muffler



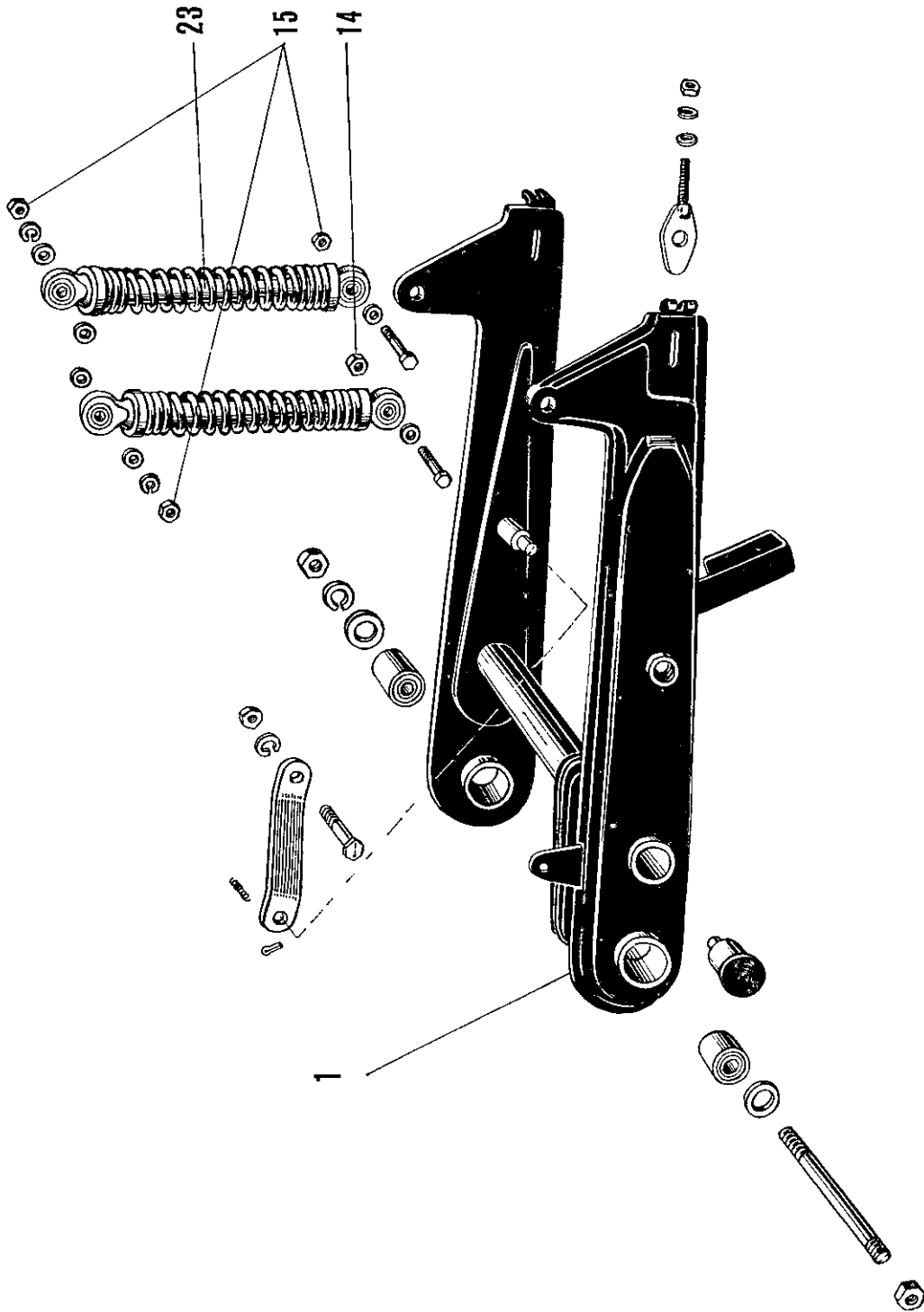
Ref. No.	Part No.	Part Name	Quantity	Remarks
11. Exhaust Pipe, Muffler				
1	2110-1471	Exhaust Pipe	1	
3	220 B0620	6×20 Pan Head Screw	2	
5	2110-1410	Muffler	1	
6	2110-1430	Baffle Tube	1	
9	2110-1480	Muffler Cover	1	
10	220 B0606	6×6 Pan Head Screw	2	
11	2110-1311	Muffler Stay	1	
12	110 B0816	8×16 Hex Head Bolt	1	
13	461 F0800	8 $\frac{7}{8}$ Spring Washer	1	
14	2120-5441	Throttle Cable Clamp	1	

12. Frame



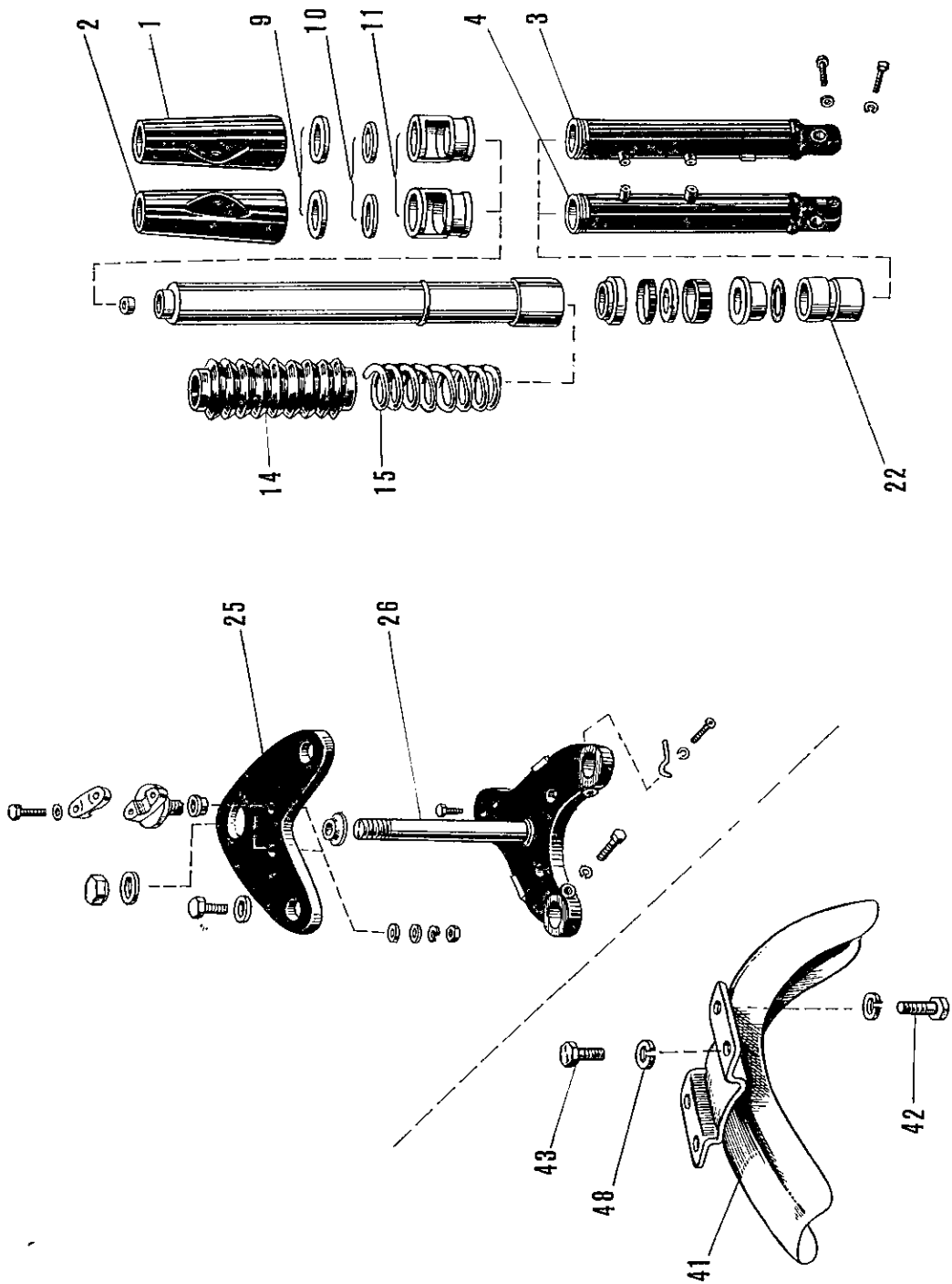
Ref. No.	Part No.	Part Name	Quantity	Remarks
12. Frame				
1	2220-1100	Frame	1	
5	2220-1301	Down Tube	1	
9	110 B0845	8×45 Hex Head Bolt	1	
10	113 B10110	10×110 Hex Head Bolt	1	
24	2220-1801	Rear Fender	1	
26	2220-1802	Rear Fender Flap	1	
27	110 B0812	8×12 Hex Head Bolt	3	
28	461 F0800	8 ⁷ / ₁₆ Spring Washer	3	
29	410 B0800	8 ⁷ / ₁₆ Plain Washer	3	
30	220 B0612	6×12 Pan Head Screw	5	
31	461 F0600	6 ⁷ / ₁₆ Spring Washer	8	
32	410 B0600	6 ⁷ / ₁₆ Plain Washer	6	
33	310 B0600	6 ⁷ / ₁₆ Nut	5	
34	2220-1803	Rear Fender Rubber Plug	1	
35	312 B0800	8 ⁷ / ₁₆ Nut	1	
36	110 B0850	8×50 Hex Head Bolt	1	
37	110 B0612	6×12 Hex Head Bolt	3	
No. 25 is Combined with CHP. Authorized Tail Lamp Ass'y				

13. Swinging Arm



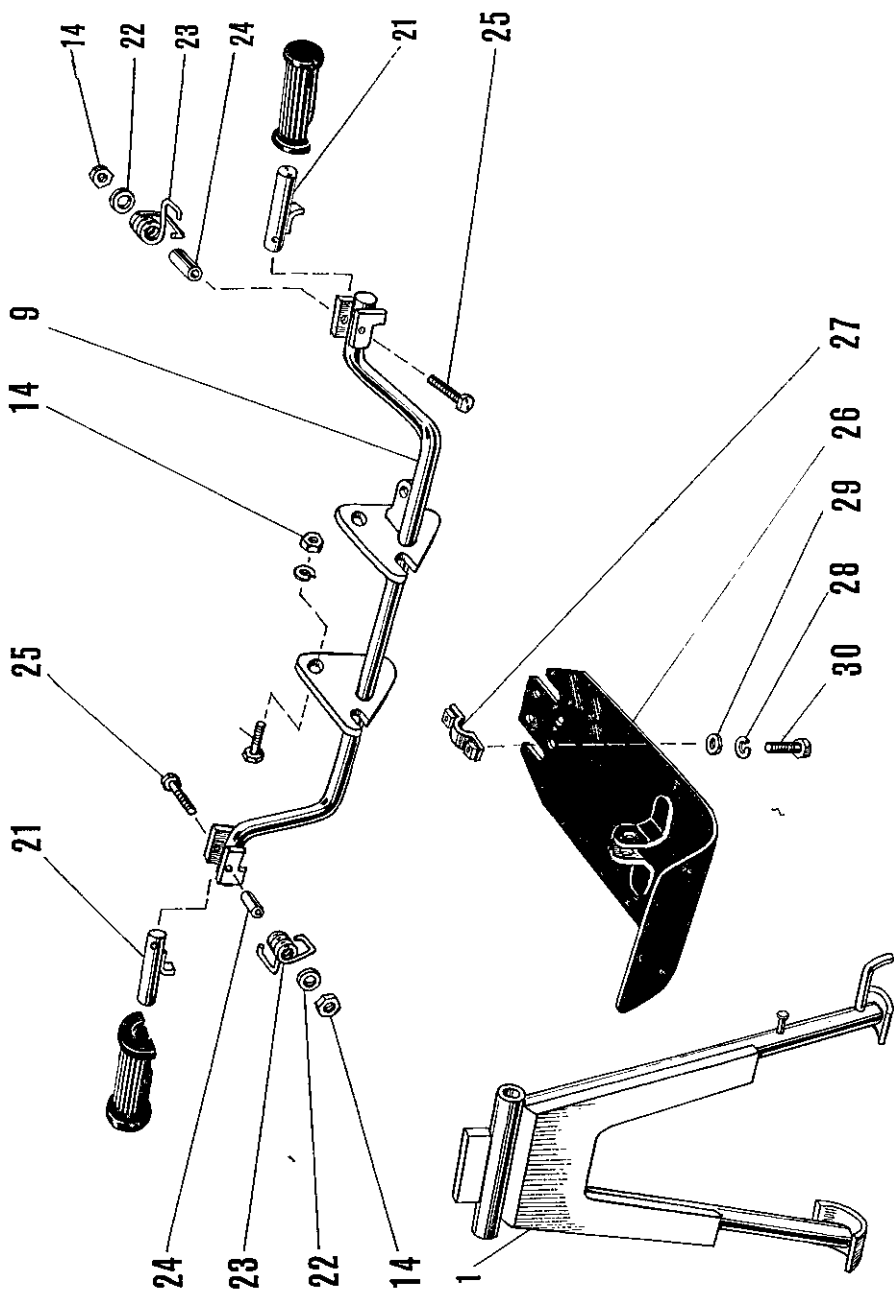
Ref. No.	Part No.	Part Name	Quantity	Remarks
13. Swinging Arm				
1	2220-1410	Swinging Arm	1	
14	315 B1200	12 ⁷ / ₁₆ Nut	1	
15	2020-1502	12 ⁷ / ₁₆ Shock Absorber Fitting Nut	3	
23	2120-2800	Shock Absorber	2	
No.13 is not used for J1TR.				

14. Front Fork, Front Fender



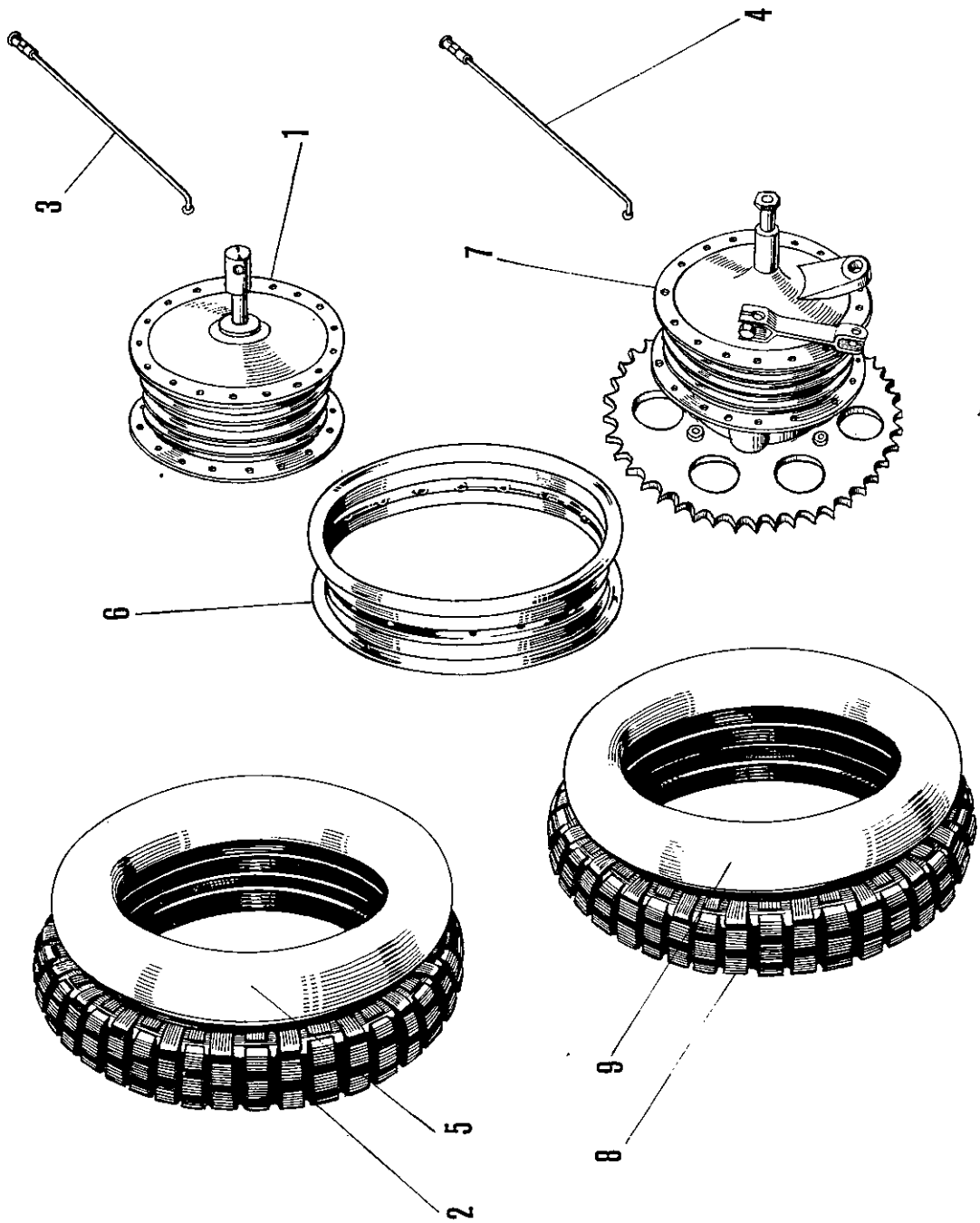
Ref. No.	Part No.	Part Name	Quantity	Remarks
14. Front Fork, Front Fender				
1-31	2220-3400	Front Fork Ass'y	1	
1	2120-3409	L.H. Fork Cover Complete	1	
2	2120-3408	R.H. Fork Cover Complete	1	
3	2120-3406	L.H. Outer Tube Complete	1	
4	2120-3407	R.H. Outer Tube Complete	1	
9	2120-3436	Washer	2	
10	2120-3437	Fork Cover Guide Gasket	2	
11	2120-3416	Fork Cover Guide	2	
14	2120-3434	Fork Spring Cover	2	
15	2120-3417	Fork Spring	2	
22	2120-3420	Fork Outer Tube Nut	2	
25	2220-3410	Steering Stem Head	1	
26	2220-3420	Steering Stem	1	
41	2220-1701	Front Fender	1	
42	110 B0612	6×12 Hex Head Bolt	2	
43	110 B0625	6×25 Hex Head Bolt	2	
48	461 F0600	6 ^m / _m Spring Washer	4	
No. 44~47 and No. 49, 50 are not used for JITR.				

15. Stands, Footrests



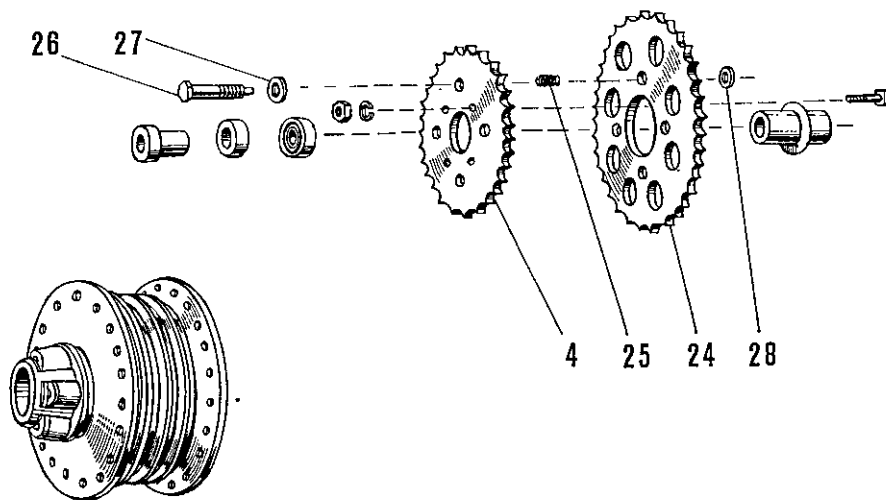
Ref. No.	Part No.	Part Name	Quantity	Remarks
15. Stands, Footrests				
1	2120-1650	Main Stand	1	
9	2220-1610	Footrest Bar	1	
14	310 B0800	8 ⁷ / ₁₆ Nut	4	
21	2220-1612	Footrest	2	
22	2220-4137	Footrest Washer	2	
23	2220-1613	Footrest Spring	2	
24	2220-1614	Footrest Collar	2	
25	110 B0850	8×50 Hex Head Bolt	2	
26	2220-6801	Engine Guard	1	
27	2220-6802	Engine Guard Fitting Band	2	
28	461 F0600	6 ⁷ / ₁₆ Spring Washer	4	
29	410 B0600	6 ⁷ / ₁₆ Plain Washer	4	
30	110 B0612	6×12 Hex Head Bolt	4	
No. 2, 11 and one piece of No. 13 are not used for J1TR.				

16. Wheels

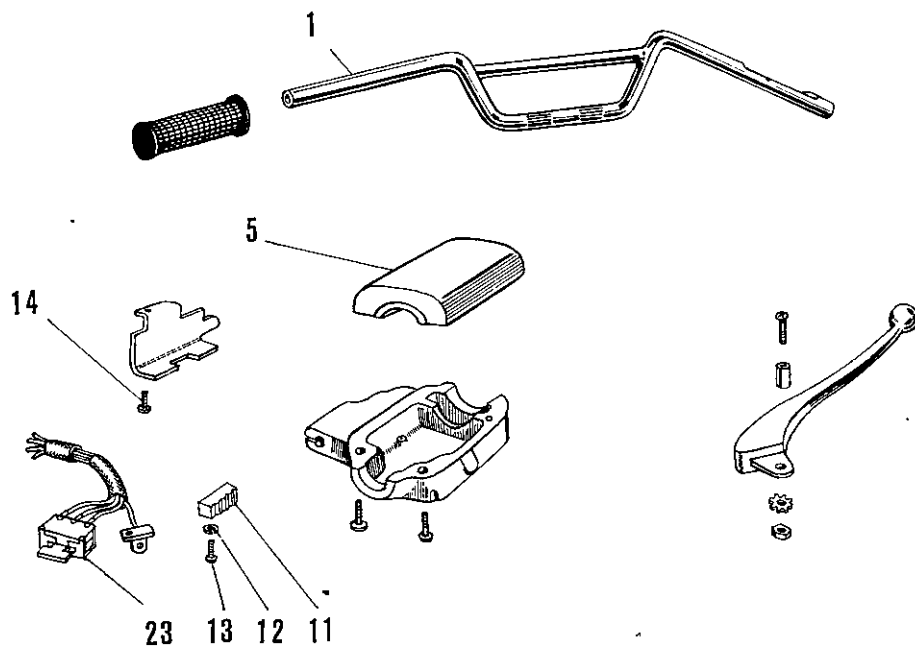


Ref. No.	Part No.	Part Name	Quantity	Remarks
16. Wheels				
1~6	2220-2100	Front Wheel Ass'y	1	
3,4,6~9	2220-2200	Rear Wheel Ass'y	1	
2	2220-2111	Front Knobby Tire	1	2.50-17 4PR
3	2020-2231	# 10×161 ^{mm} Inner Spoke Ass'y	36	w/Nipple
4	2020-2232	# 10×160.5 ^{mm} Outer Spoke Ass'y	36	w/Nipple
5	2020-2112	2.50-17 Front Tire Inner Tube	1	
7	2220-2400	Rear Hub Ass'y	1	
8	2220-2211	Rear Knobby Tire	1	2.75-17 4PR
9	2220-2212	2.75-17 Rear Tire Inner Tube	1	

18. Rear Hub

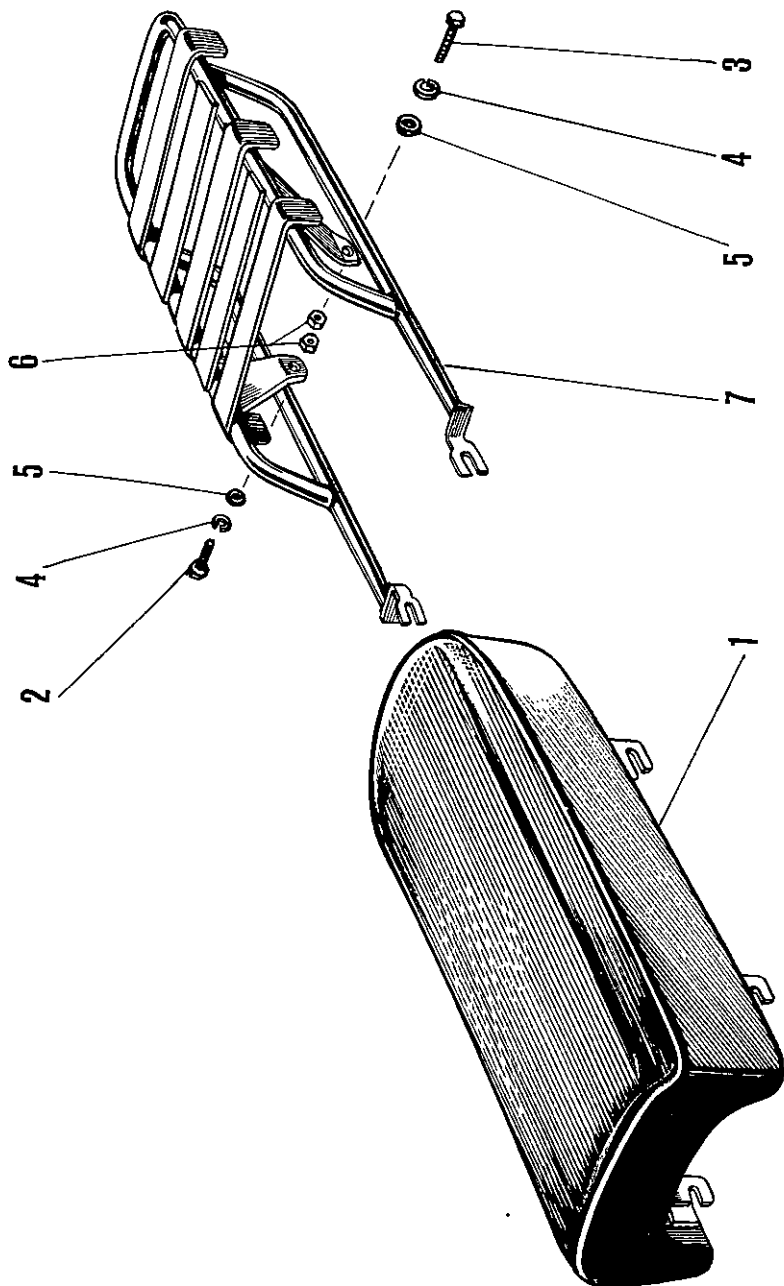


19. Handlebar, Grips, Handlebar Switch

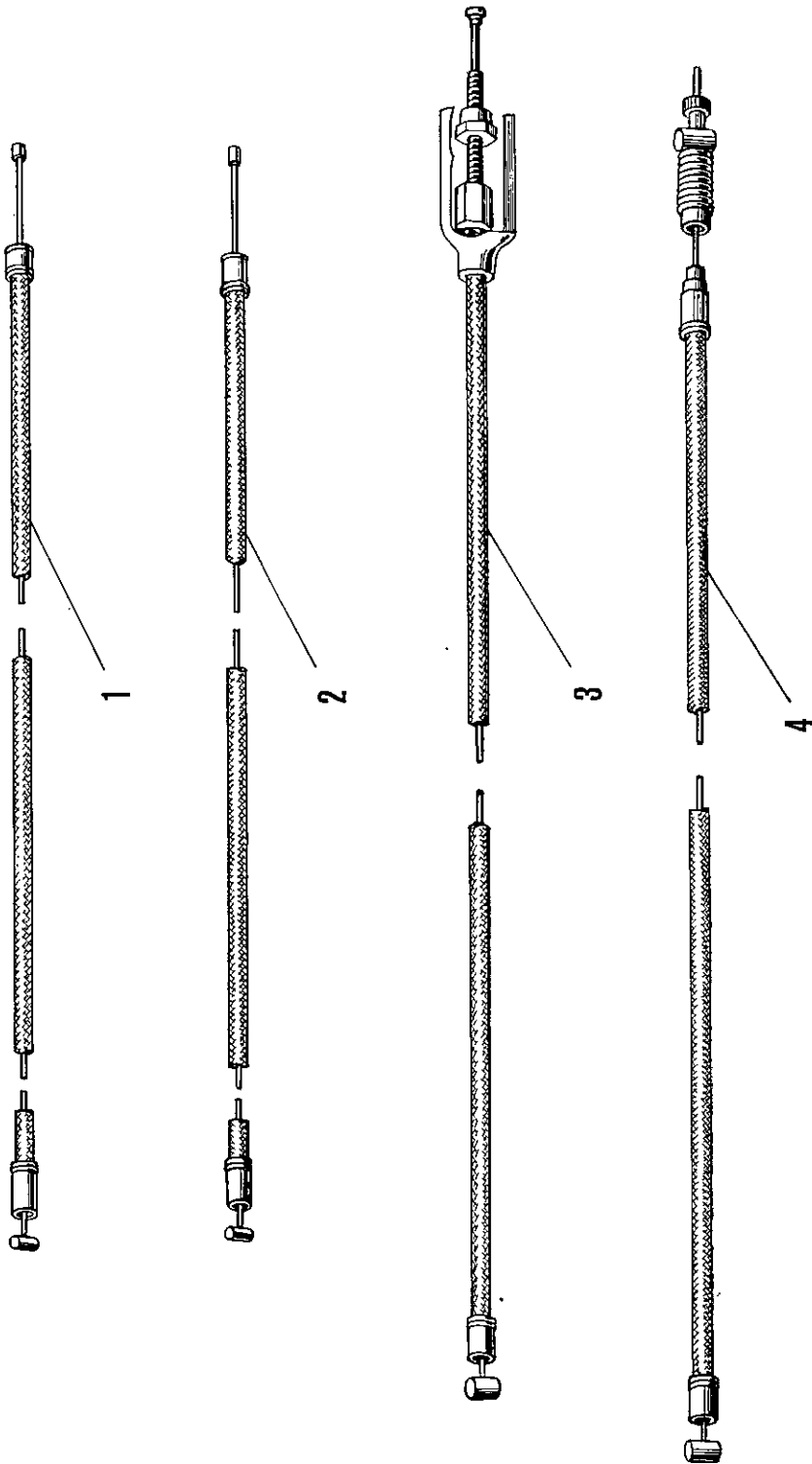


Ref. No.	Part No.	Part Name	Quantity	Remarks
18. Rear Hub				
4	2220-2481	Rear Drive Sprocket <i>490</i>	1	37 Teeth
24	2220-2483	Rear Power Sprocket	1	58 Teeth
25	2220-2485	Rear Sprocket Spring	4	
26	2220-2484	Rear Sprocket Bolt	4	
27	2220-2486	Rear Sprocket Washer	4	
28	410 B0800	8 ⁷ / ₁₆ Plain Washer	4	
19. Handlebar, Grips, Handlebar Switch				
1	2220-3111	Handlebar	1	
2-10, 15-20	2220-3200	R.H. Grip Ass'y	1	
5	2220-3202	R.H. Switch Upper Case	1	
11	2020-3220	Switch Knob	1	
12	2020-3221	2 ⁷ / ₁₆ Spring Washer	3	
13	2020-3222	2x6 Pan Head Screw	2	
14	220 B0306	3x6 Pan Head Screw	2	
23	2220-3311	L.H. Switch Wiring Harness	1	
No. 6 and 8 are not used for J1TR.				

21. Seat, Luggage Carrier

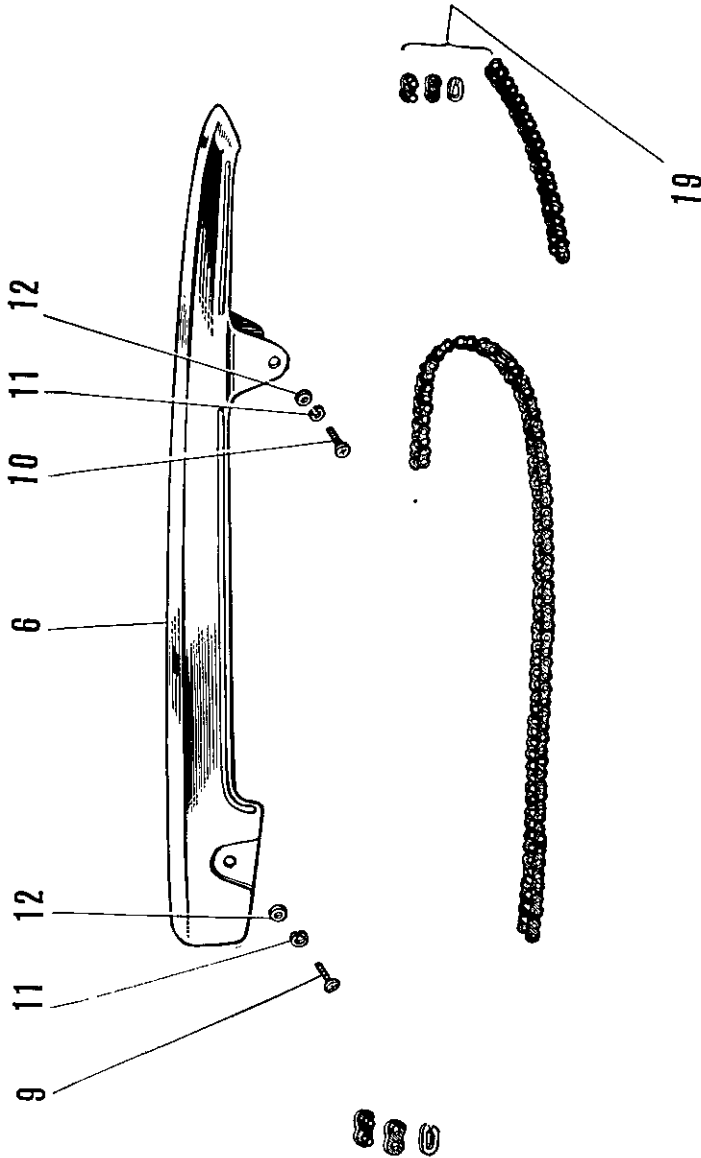


Ref. No.	Part No.	Part Name	Quantity	Remarks
21. Seat, Luggage Carrier				
1	2220-8410	Seat	1	
2	110 B0825	8×25 Hex Head Bolt	1	
3	110 B0816	8×16 Hex Head Bolt	1	
4	461 F0800 ³	8 ^m / _m Spring Washer	2	
5	410 B0800	8 ^m / _m Plain Washer	2	
6	310 B0800	8 ^m / _m Nut	2	
7	2220-5201	Luggage Carrier	1	



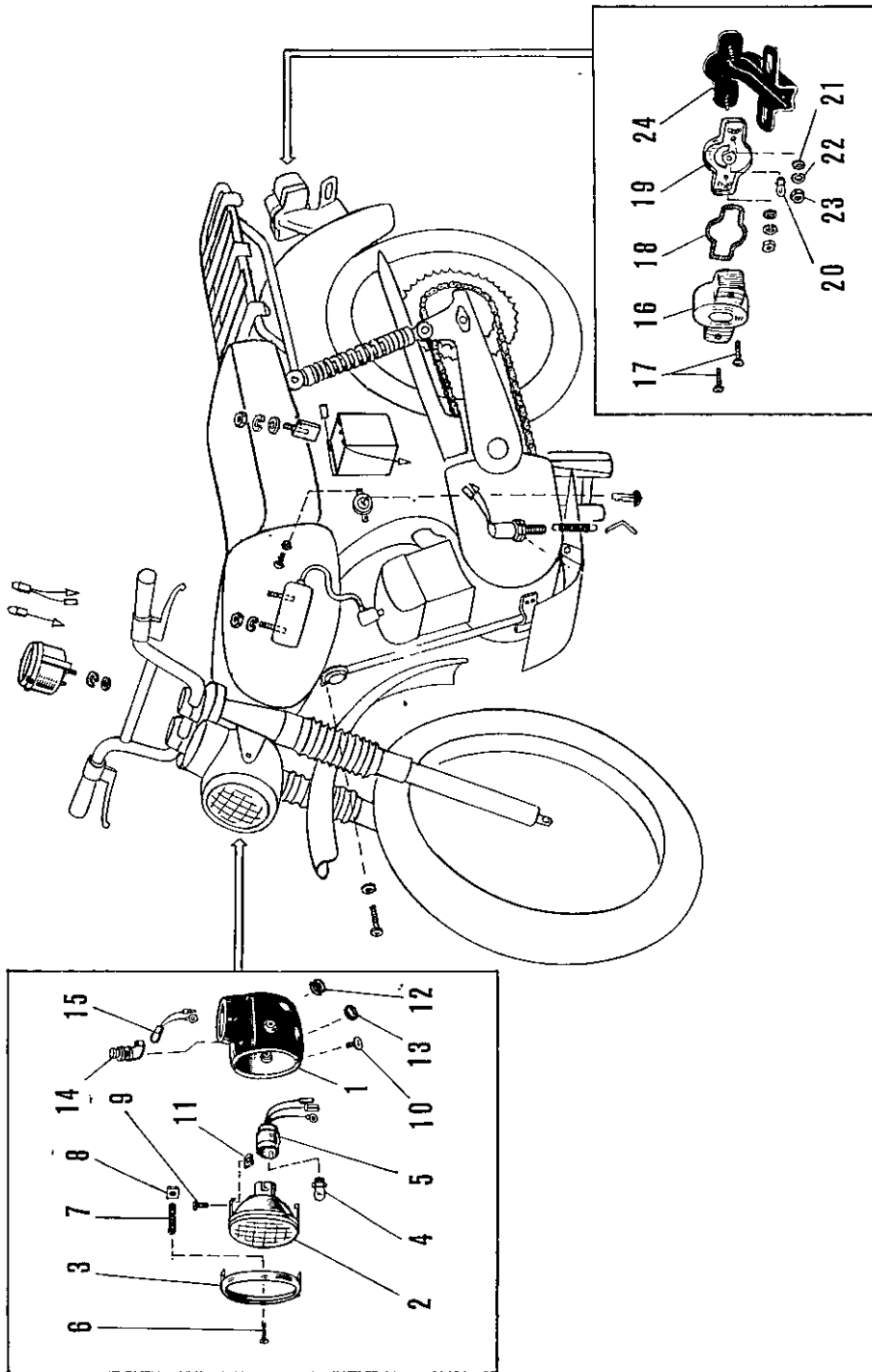
Ref. No.	Part No.	Part Name	Quantity	Remarks
22. Cables				
1	2220--5450	Starter Cable Ass'y	1	
2	2220-5440	Throttle Cable Ass'y	1	
3	2220-5430	Clutch Cable Ass'y	1	
4	2220-5420	Front Brake Cable Ass'y	1	

23. Chain Cover, Chain



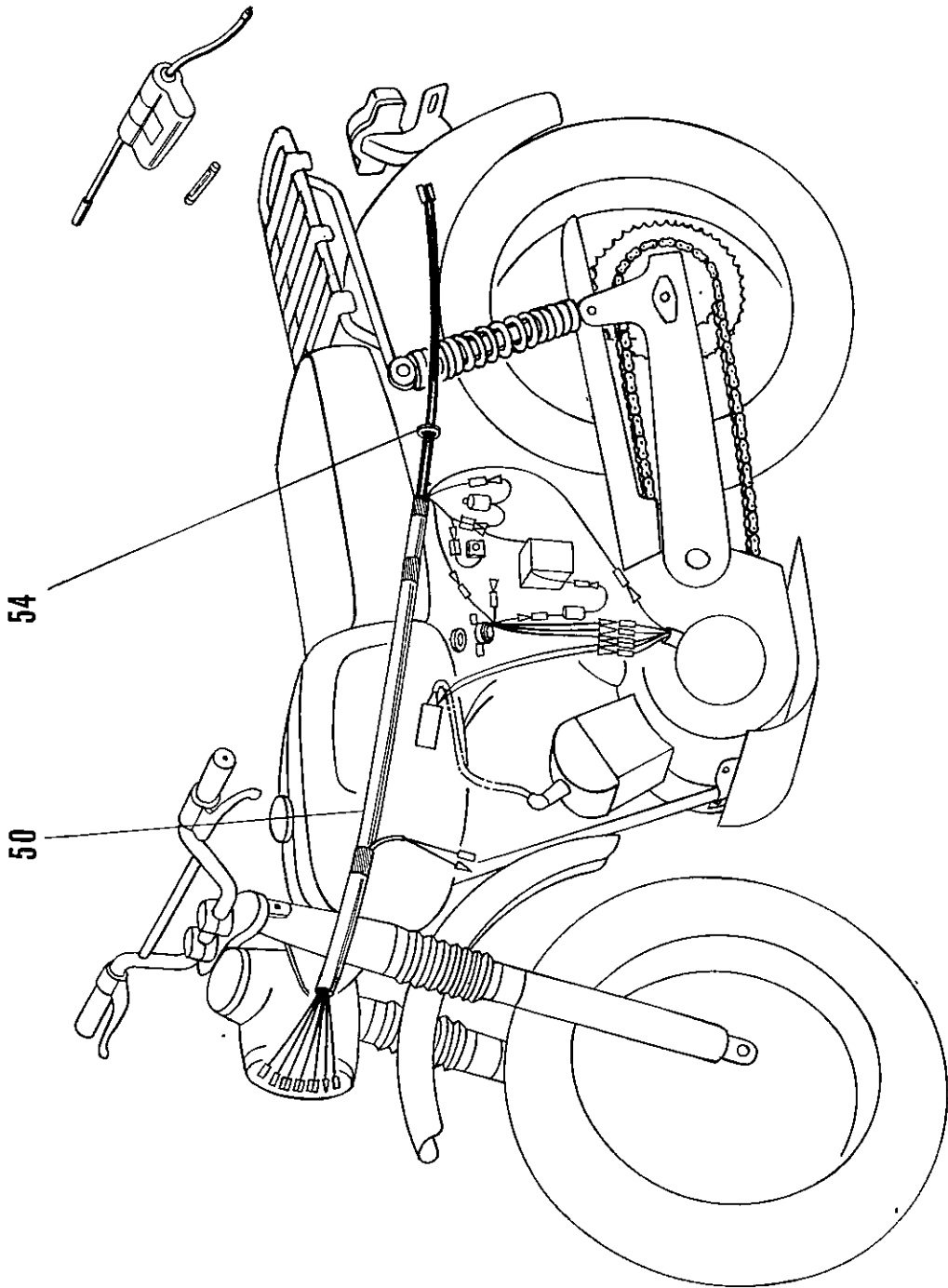
Ref. No.	Part No.	Part Name	Quantity	Remarks
23. Chain Cover, Chain				
6	2220-6510	Chain Cover	1	
9	220 B0508	5×8 Pan Head Screw	1	
10	220 B0520	5×20 Pan Head Screw	1	
11	461 F0500	5 ¹⁶ / ₁₆ Spring Washer	2	
12	410 B0500	5 ¹⁶ / ₁₆ Plain Washer	2	
19	2220-2520	Drive Chain Extention Ass'y	1	12 Links w/Joint Complete

24. Electrical Equipment



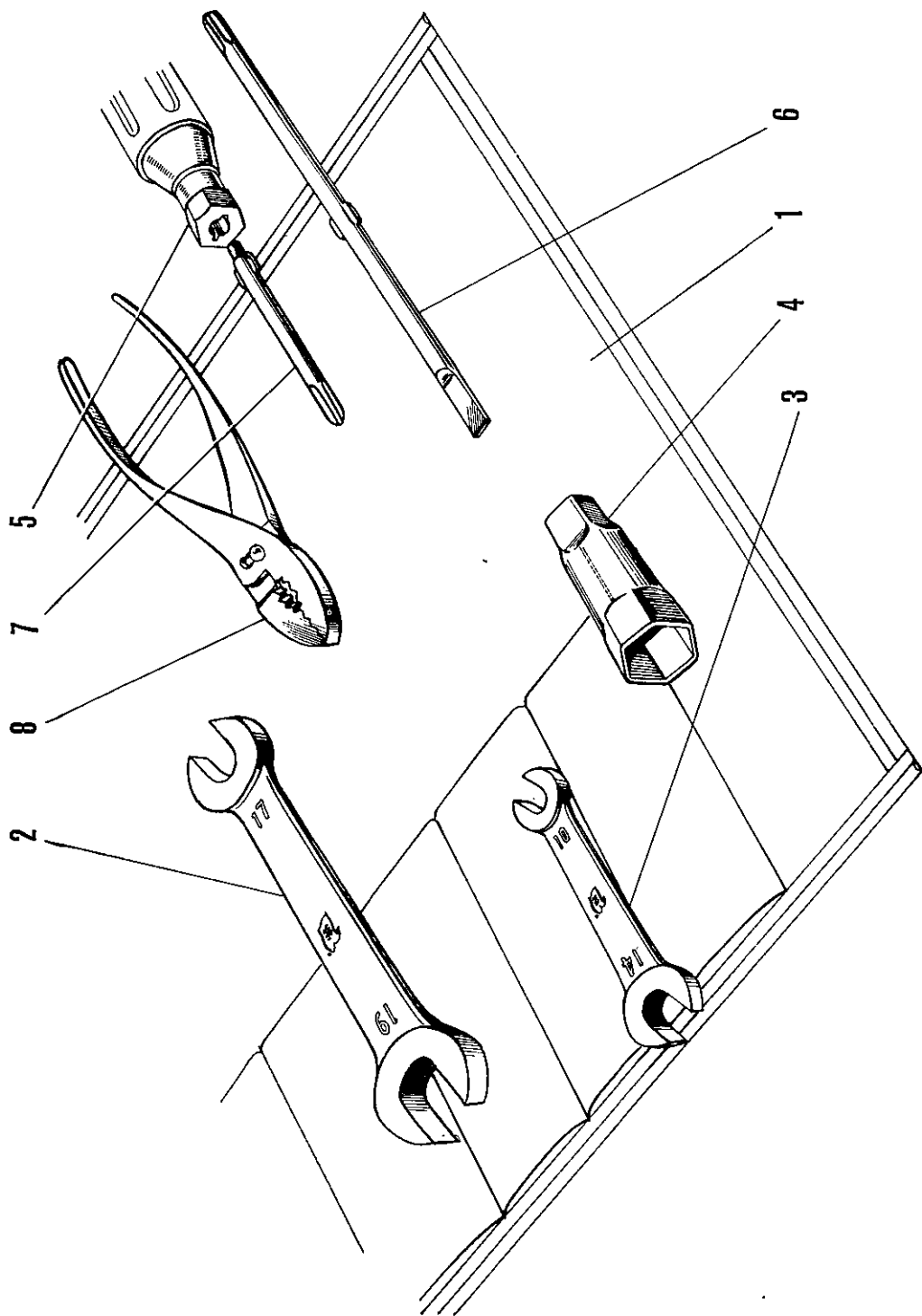
Ref. No.	Part No.	Part Name	Quantity	Remarks
24. Electrical Equipment				
1~15	2020-7100E	Head Lamp Ass'y	1	CHP, PTL Authorized
1	2020-7101E	Head Lamp Case	1	
2	2020-7102E	Semi-sealed Beam Unit	1	
3	2020-7103E	Head Lamp Rim	1	
4	2020-7104E	Head Lamp Bulb	1	6V 15/15W
5	2020-7105E	Head Lamp Socket & Cord	1	
6	2020-7106E	3×42 Focus Adjusting Screw	1	
7	2020-7107E	Focus Adjusting Spring	1	
8	2020-7108E	3 ^m / _m Square Nut	1	
9	2020-7109E	5×6 Special Screw	2	
10	2020-7111E	5×10 Pan Head Screw	1	
11	2020-7112E	Special Nut	2	
12	2020-7113E	Wiring Harness Grommet	1	
13	2020-7114E	Speedometer Cable Grommet	1	
14	2020-7115E	High Beam Indicator Lamp Socket	1	
15	2020-7116E	High Beam Indicator Lamp Bulb	1	
16~24	2020-7200E	Tail Lamp Ass'y	1	CHP, PTL Authorized
16	2020-7201E	Tail Lamp Lens	1	
17	2020-7202E	3×60 Pan Head Screw	2	
18	2020-7203E	Tail Lamp Lens Gasket	1	
19	2020-7204E	Tail Lamp Socket & Cord	1	
20	2020-7205E	Tail Lamp Bulb	1	6V 3/21 CP
21	410 B0500	5 ^m / _m Plain Washer	2	
22	461 F0500	5 ^m / _m Spring Washer	2	
23	312 B0500	5 ^m / _m Nut	2	
24	2020-7206E	Tail Lamp Bracket	1	
Turn Signal Lamp Ass'y are not used for JITR, that is based on No. 17~29, No. 45~47 of JI Parts Book.				

24. Electrical Equipment



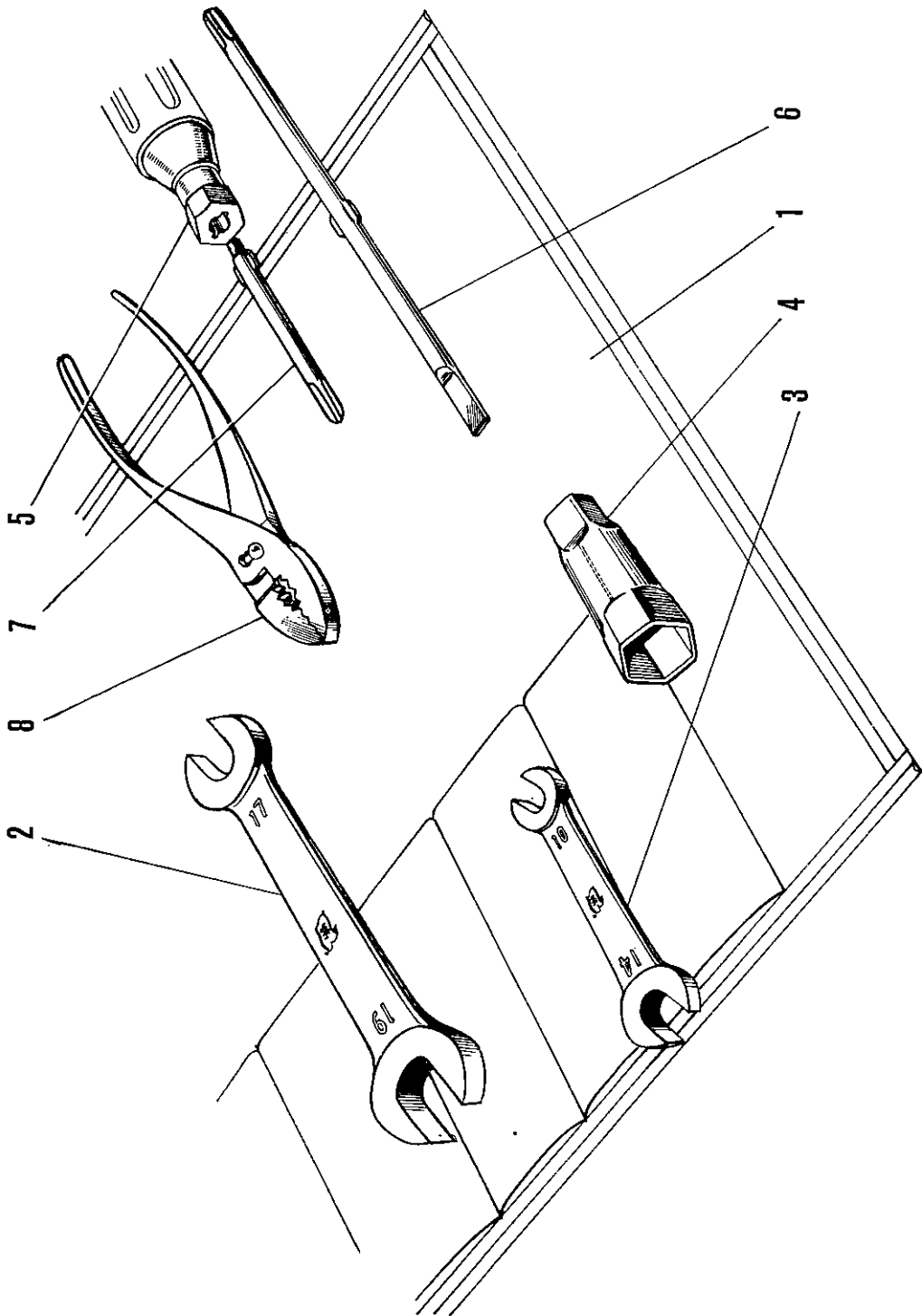
Ref. No.	Part No.	Part Name	Quantity	Remarks
24. Electrical Equipment				
50	2220-7610	Main Wiring Harness	1	
54	2020-7666	10 ^{7/8} " Wiring Harness Grommet	2	

25. Tools



Ref. No.	Part No.	Part Name	Quantity	Remarks
24. Electrical Equipment				
50	2220-7610	Main Wiring Harness	1	
54	2020-7666	10% Wiring Harness Grommet	2	

25. Tools



28. Standard Hardware

Part No.	Part Name	Quantity (Used for)	Total Quantity	Remarks
222 E 0408		4×8 2(24-16)	2	
222 E 0512		5×12 1(24-10)	1	
291 Z 0618	Slotted Screw	6×18 1(4-24)	1	
310 B 0500	Nut	5 ^m / _m 2(19-18) 3(24-35) 1(24-59)	6	
310 B 0600		6 ^m / _m 4(1-9) 5(12-33) 2(13-12)	15	
310 B 0800		1(17-17) 1(18-20) 2(24-56)	11	
312 B 0600		8 ^m / _m 3(12-15) 2(21-6) 4(15-14)	11	
312 B 0800		2(24-26)	3	
312 B 0800		6 ^m / _m 1(4-25) 2(23-3)	3	
313 B 1000		8 ^m / _m 1(6-6) 1(12-35)	2	
313 B 1200		10 ^m / _m 1(3-9) 2(12-17) 3(13-6)	9	
315 B 1000		2(14-35) 1(17-19)	2	
315 B 1200		12 ^m / _m 2(18-23)	2	
316 B 0800		10 ^m / _m 1(15-24)	1	
410 B 0500	Plain Washer	12 ^m / _m 1(13-14)	1	
410 B 0600		8 ^m / _m 4(18-8)	4	
410 B 0800		5 ^m / _m 2(15-19) 2(23-12) 1(24-58)	5	
410 B 1000		6 ^m / _m 6(1-5) 1(5-21) 6(12-32)	21	
410 B 1200		2(13-10) 4(15-29) 1(17-16)	11	
410 D 0800		1(18-19)	2	
411 B 0500		8 ^m / _m 3(12-29) 4(18-28) 4(21-5)	11	
411 B 1000		10 ^m / _m 2(12-18)	2	
411 B 1200		12 ^m / _m 1(15-8)	1	
460 E 0500	Spring Washer	8 ^m / _m 2(24-8)	2	
460 E 1200		5 ^m / _m 2(20-21)	2	
461 E 0500		10 ^m / _m 2(13-4)	2	
461 E 0600		12 ^m / _m 6(13-18)	6	
461 E 1000		5 ^m / _m 1(11-8)	1	
461 F 0500		12 ^m / _m 1(5-15)	1	
461 F 0600		5 ^m / _m 6(4-12)	6	
461 F 0800		6 ^m / _m 10(1-4) 1(5-20)	11	
461 F 1000		10 ^m / _m 1(3-8)	1	
461 F 1200		5 ^m / _m 2(23-11) 3(24-34) 1(24-57)	6	
463 H 0800	Toothed Lock Washer	6 ^m / _m 3(12-31) 2(13-11) 1(14-39)	21	
464 H 0500		4(14-48) 4(15-28) 3(24-14)	22	
464 H 0600		4(24-38)	8	
480 J 1500	Circlip	8 ^m / _m 1(11-13) 3(12-13) 3(12-28)	22	
480 J 1700		5(14-6) 2(15-13) 4(18-7)	8	
481 J 4700		4(21-4)	2	
481 J 5200		10 ^m / _m 2(12-16) 2(13-5) 4(14-28)	2	

28. Standard Hardware

Part No.	Part Name	Quantity (Used for)	Total Quantity	Remarks
482 J 0100		10 $\frac{3}{16}$ " 1(6-10)	1	
482 K 9000		3(15-5)	3	
550 D 2015	Cotter Pin	2x15 1(15-20)	1	
550 D 3020		3x20 2(5-30) 1(13-21)	3	
551 A 0512	Dowel Pin	5x12 2(2-15)	2	
551 A 0816		8x16 2(2-5)	2	
600 A 0600	Steel Ball	$\frac{3}{16}$ " 46(12-19)	46	
601 B 6204	Ball Bearing	6204 1(2-22)	1	
601 B 6303		6303 1(2-19)	1	
601 B 6304		6304 2(2-6)	2	
610 A 0410	Cylindrical Roller	4x10 1(3-15)	1	
610 A 0710		7x10 1(4-18)	1	
653 B254007	Oil Seal	TB 25407 1(2-1)	1	
656 G121805		VB 12185 1(2-26)	1	
656 G162404		VB 16244 1(8-11)	1	
670 B 2016	"O" Ring	16 $\frac{3}{16}$ " 1(3-17)	1	
670 B 2020		20 $\frac{3}{16}$ " 1(1-14)	1	
671 B 2525		25 $\frac{3}{16}$ " 1(2-2)	1	
850 A 1601	Cable Grommet	1(24-3)	1	

Kawasaki 85

Model J1L

Model J1TL

Model J1TRL

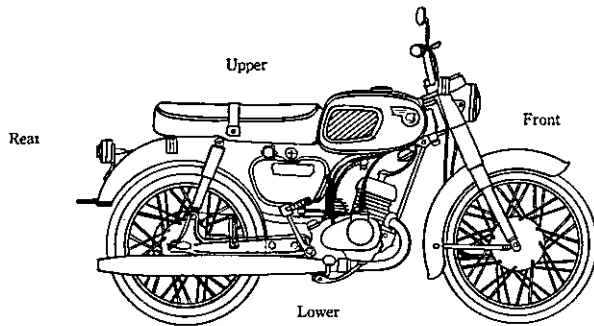
J1-J1TL-J1TRL

Kawasaki 85

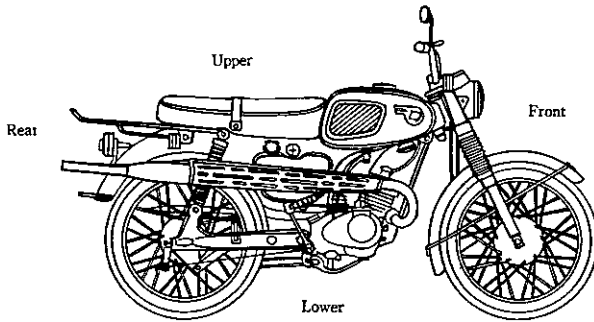
J1L
J1TL
J1TRL

INDEX

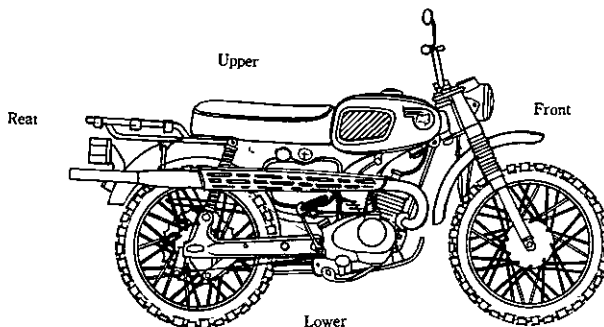
2.	Crank Case	1
3.	Crank Shaft	1
8.	Engine Covers, Oil Pump (1)	3
8.	Engine Covers, Oil Pump (2)	5
12.	Frame	7
20.	Fuel Tank, Oil Tank.....	9
22.	Cables	9
23.	Side Cover.....	9
24.	Electrical Equipment	9



J1L

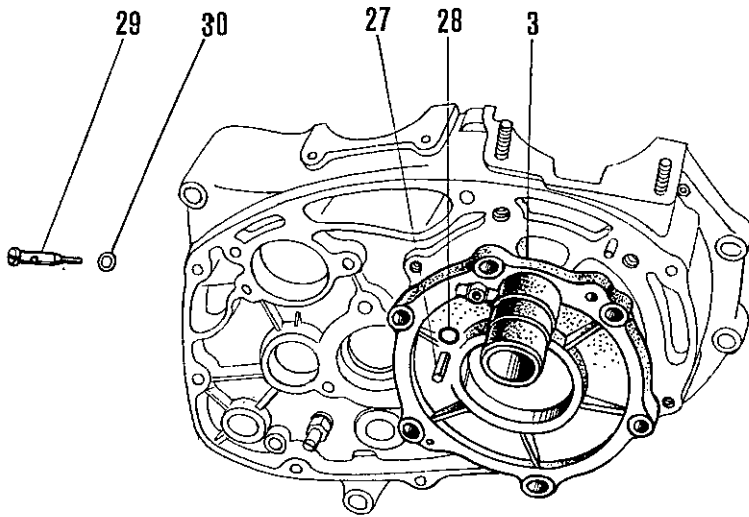


J1TL

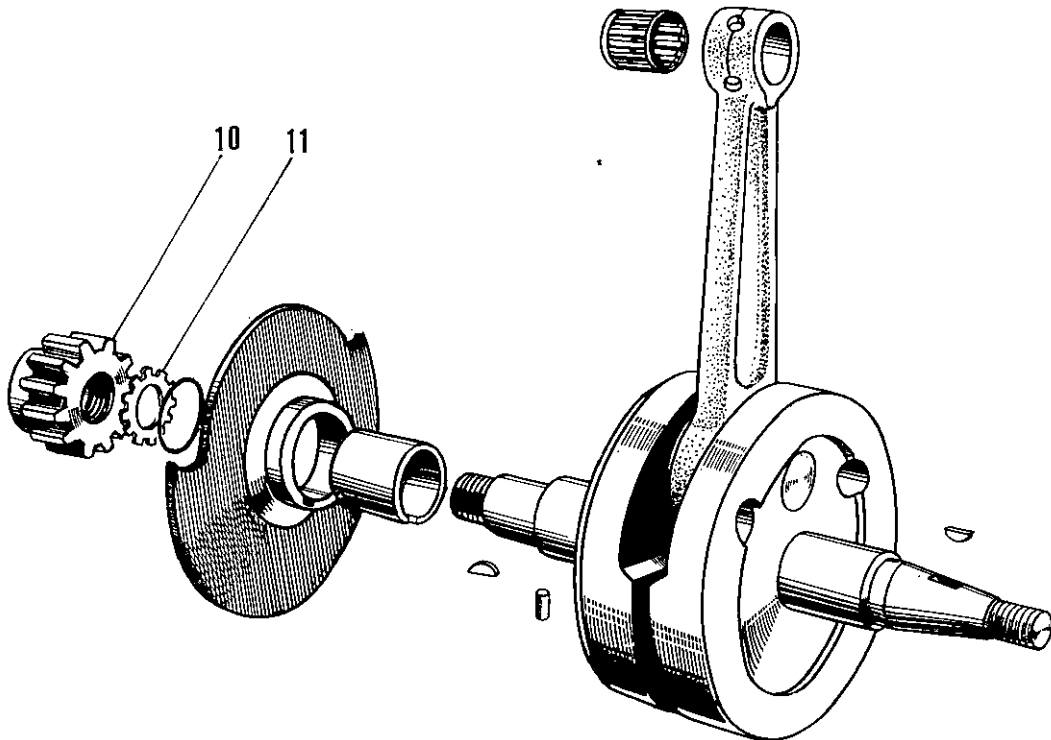


J1TRL

2. Crank Case

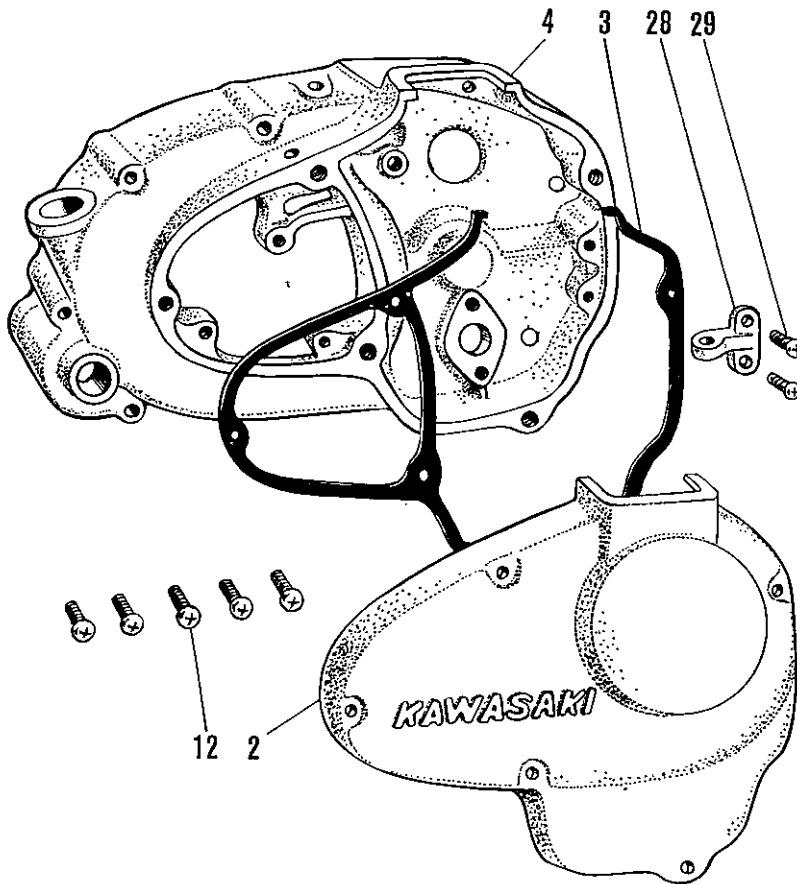


3. Crank Shaft



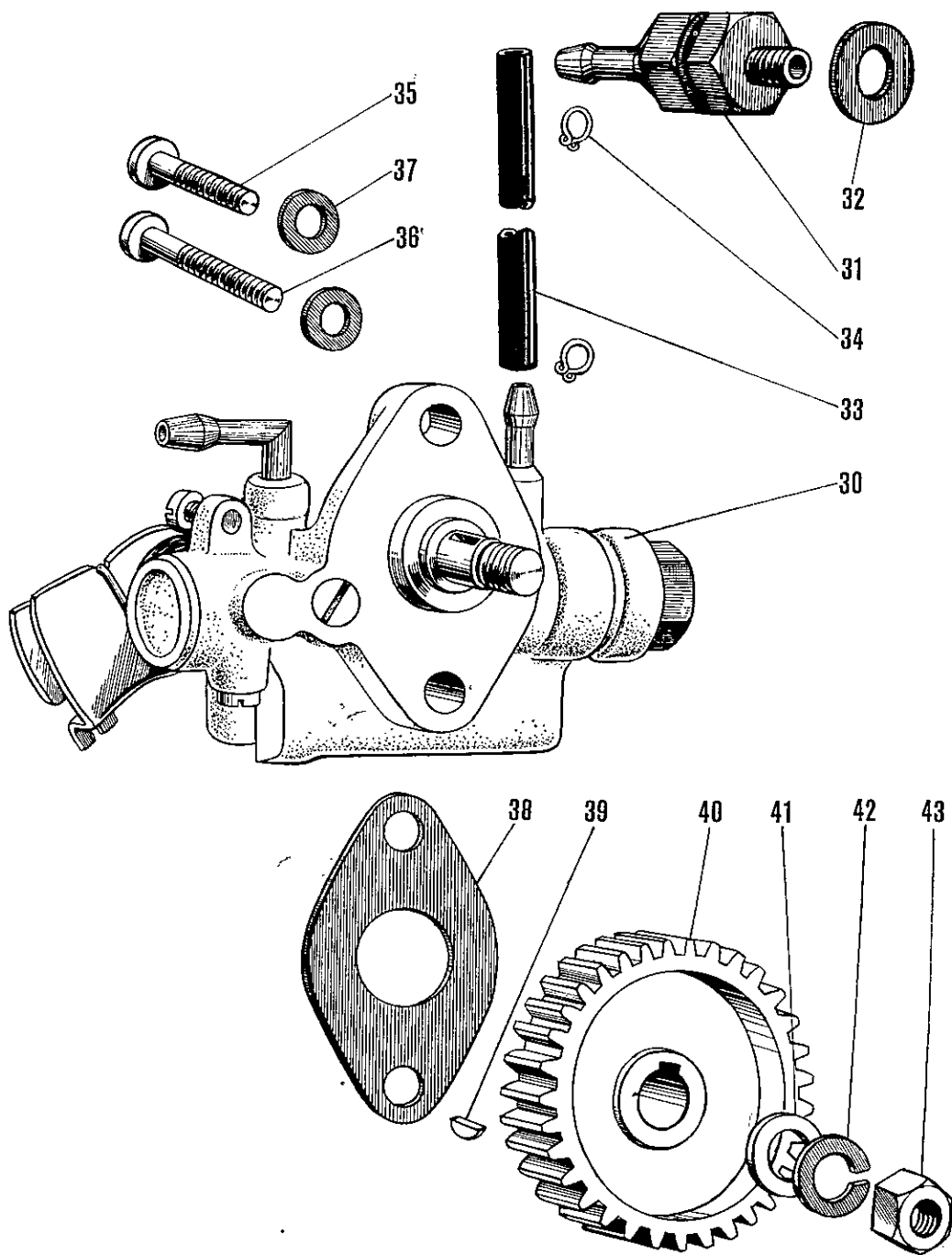
Ref. No.	Part No.	Part Name	Quantity	Remarks
2. Crank Case				
3	2310-4212	Rotary Disc Valve Cover	1	
27	2310-4271	8×16 Dowel Pin	1	
28	2310-4248	8 ^m / _m "0" Ring	1	
29	2310-4272	Oil Injection Nozzle	1	
30	2310-4273	5 ^m / _m "0" Ring	1	
3. Crank Shaft				
10	2310-7111	Oil Pump Pinion	1	
11	464 G 1200	12 ^m / _m Toothed Lock Washer	1	

8. Engine Covers, Oil Pump (1)



Ref. No.	Part No.	Part Name	Quantity	Remarks
8. Engine Covers, Oil Pump (1)				
2	2310-4307	Carburettor Cover	1	
3	2310-4311	Carburettor Cover Gasket	1	
4	2310-4202	R.H. Engine Cover	1	
12	222 B 0630	6×30 Oval Countersunk Head Screw	5	
28	2310-7113	Oil Pump Cable Guide	1	
29	220 B 0620	6×20 Pan Head Screw	2	

8. Engine Covers, Oil Pump (2)

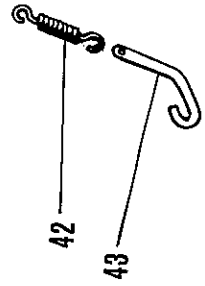
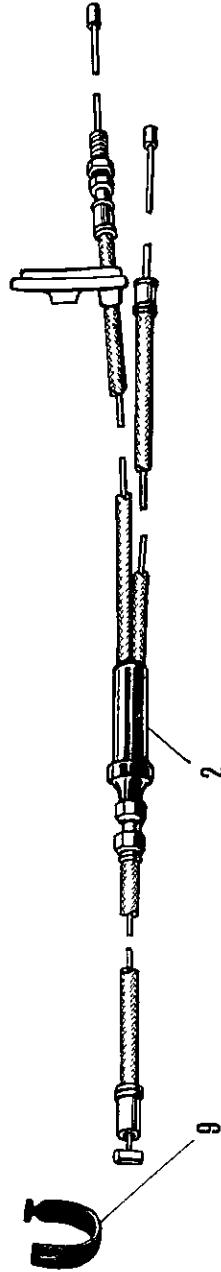
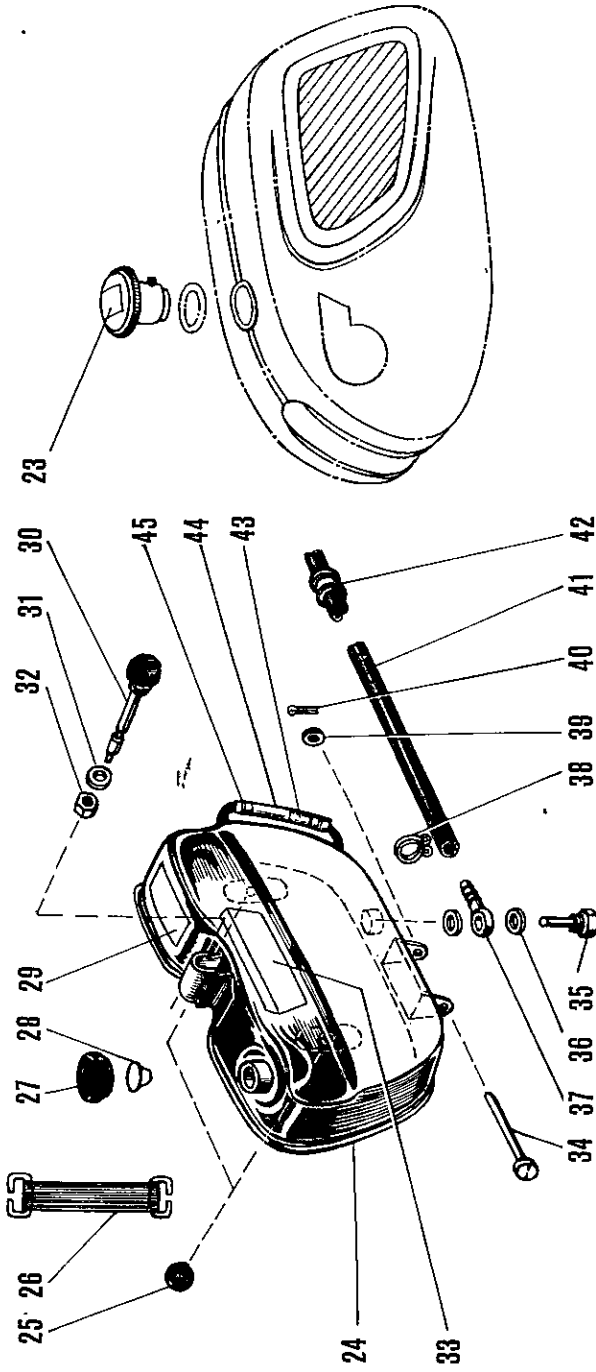


Ref. No.	Part No.	Part Name	Quantity	Remarks
8. Engine Covers, Oil Pump (2)				
30	2310-7130	Oil Pump Ass'y	1	
31	2310-7131	Check Valve	1	
32	751 N 0800	Check Valve Gasket	1	
33	2310-7811	Oil Pipe	1	
34	2310-7132	Oil Pipe Clamp	2	
35	220 B 0514	5×14 Pan Head Screw	1	
36	220 B 0528	5×28 Pan Head Screw	1	
37	2310-7115	Oil Pump Washer	2	
38	2310-7121	Oil Pump Gasket	1	
39	510 A 2500	Oil Pump Gear Woodruff Key	1	
40	2310-7112	Oil Pump Gear	1	
41	410 B 0600	6 ^m / _m Plain Washer	1	
42	461 E 0600	6 ^m / _m Spring Washer	1	
43	310 B 0600	6 ^m / _m Nut	1	

12. Frame



Ref. No.	Part No.	Part Name	Quantity	Remarks
12. Frame				
1	2320-1100	Frame	1	for J1L
1	2420-1100	Frame	1	for J1TL
1	2520-1100	Frame	1	for J1TRL



Ref. No.	Part No.	Part Name	Quantity	Remarks
20. Fuel Tank, Oil Tank				
23	2320-4516	Fuel Tank Filler Cap Label	1	
24	2320-4501	Oil Tank	1	
25	2320-4503	Oil Tank Protector	2	
26	2320-4502	Oil Tank Band	1	
27	2320-4511	Oil Tank Filler Cap	1	
28	2320-4512	Oil Tank Filler Cap Gasket	1	
29	2320-4517	Oil Tank Level	1	
30	2320-4506	Oil Tank Knob	1	
31	410 B 0500	5 ^m / _m Plain Washer	1	
32	312 B 0600	6 ^m / _m Nut	1	
33	2320-4514	Oil Tank Emblem	1	
34	2320-4504	Oil Tank Shaft	1	
35	2320-4508	Oil Tank Banjo Bolt	1	
36	751 P 1000	Oil Tank Banjo Bolt Gasket	2	
37	2320-4507	Oil Tank Banjo Connector	1	
38	2320-4312	Oil Tank Pipe Clamp	2	
39	410 B 0600	6 ^m / _m Plain Washer	1	
40	550 D 1610	Cotter Pin	1	
41	2320-4505	Oil Tank Pipe	1	
42	850 B 0803	Oil Pipe Protector	1	
43	2320-4515	Oil Level Gauge	1	
44	700 Q 0675	Oil Level Pipe	1	
45	2320-4509	Oil Level Pipe Clamp	2	
22. Cables				
2	2320-5440	Combination Cable Ass'y	1	w/ Carburettor Cap
9	2320-5415	Cable Band	1	2310-4314
23. Side Cover				
No. 4, No. 5 and one piece of No. 3 are not used for J1L, J1TL, J1TRL.				
24. Electrical Equipment				
42	2320-7742	Stop Lamp Switch Spring	1	
43	2320-7741	Stop Lamp Switch Spring Hook	1	